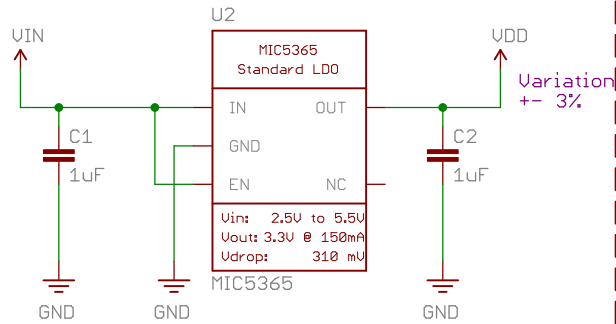
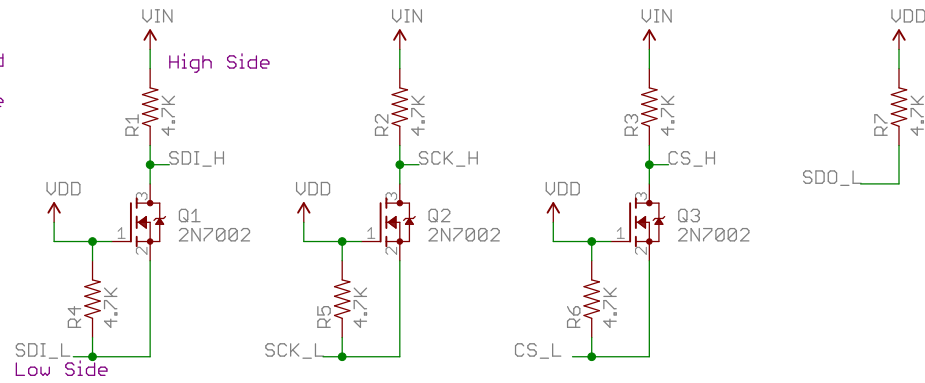


Power

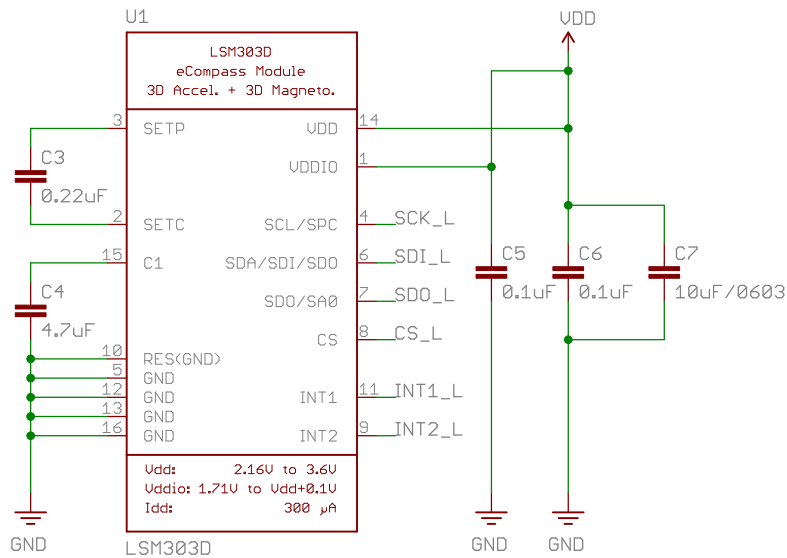


LLC

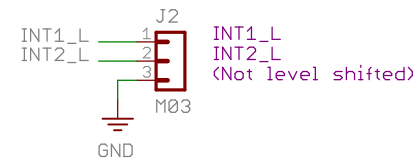
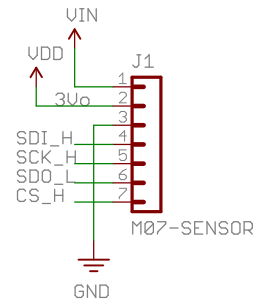
Logic Shifted equal to the Input Voltage



LSM303D



Connector



Interface Select

CS	Interface
High	I2C (Default)
Low	SPI

I2C Slave Address

SDO	Address
High	0x1D (Default)
Low	0x1E



Released under the Creative Commons Attribution-ShareAlike 4.0 International License. <http://creativecommons.org/licenses/by-sa/4.0>

Title: Explore Labs 3D Accelerometer + 3D Magnetometer LSM303D Compass Breakout Board

Design by: Explore Labs

Sensor-ST

REV:
1

Date: 22/06/16 17:23

Sheet: 1/1

